

LEDGEAR®
C6
DRIVER



DRIVER C6

- LEDGEAR® C6 is a group of independent DALI-2 & Push-DIM ECGs covering 3.5W to 57W output, designed with THROUGH WIRING function and super large wiring space, saving a lot of time and effort on the actual wiring work on site. Big push-fit looping connectors are quick to connect cables with, supporting also various wire thicknesses. Wires are secured to the driver with click-on cable clamps, and strain relief cover clicks on effortlessly securing the connections without any need for screws.

The output current can be programmed by DALI or selected by DIP switches which allows you to adjust the constant output current to work with different power LED modules. It helps to reduce the inventory and faster to projects. These LED drivers provide Amplitude Modulation (AM, or CCR) current output, these LEDGEAR® C6 LED drivers are ideal for independent use with Class I, II and III luminaires, you can be sure to offer your customers high quality of light without visual flicker and stroboscopic effects to work in TV studios and security camera environments.

DRIVER

C6



BENEFITS

- Adjustable output current for less inventory
- Energy savings with high over 85% efficacy and standby power <math>< 0.5W</math>
- Super good flicker free: PST <math>< 0.1\%</math>, SVM <math>< 0.1\%</math>, flicker percentage (<math>< 3\%</math>)
- Through wiring
- Quick and easy installation

CONNECTION INTERFACES

- DALI, DT6, Push-DiM
- Strain relief with through wiring function
- Terminal blocks: push-fit terminals

PROTECTION FUNCTIONS

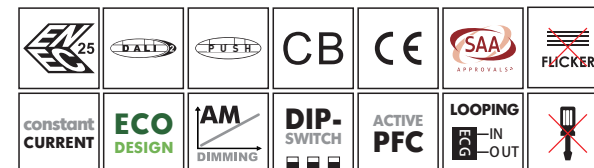
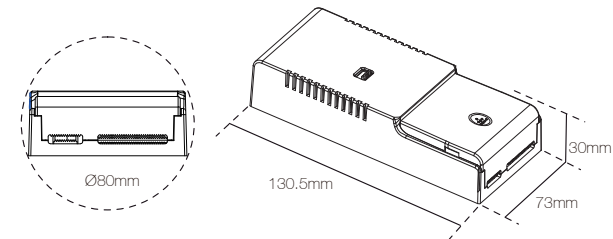
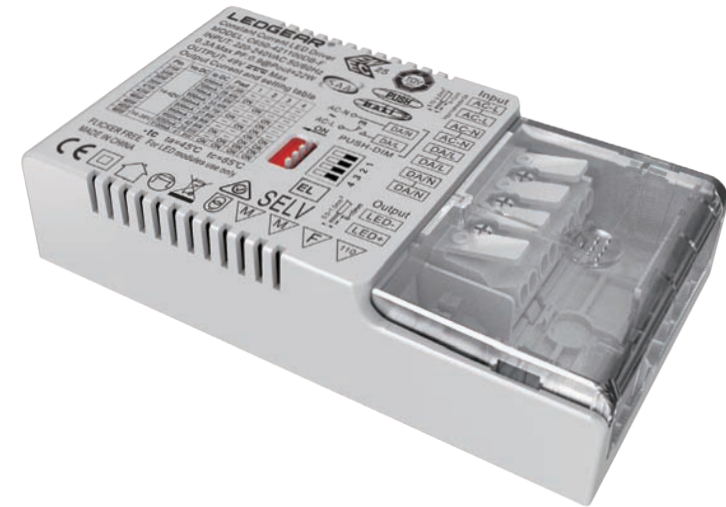
- Protection for output open load, short circuits, over voltage and over temperature

APPLICATION

- For spot light and downlight in residential, retail and hospitality applications

FEATURES

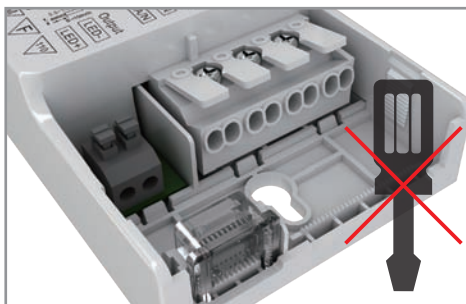
- 2in1 Dimmable: DALI-2 and Push-DiM
- 1% to 100% dimming without flicker in the whole process
- Looping of Primary, DALI & Push-DiM
- Constant current output independent led driver
- Adjustable output current by dip switches
- EcoDesign Directive (EU) 2019/2020 compliant
- Tool-less installation and with through wiring
- Permanent memory for DALI & Push dimming
- ENHANCED amplitude dimming technology
- Working $T_a = -20^{\circ}C \sim +50^{\circ}C$
- Reliable, Class II, SELV according EN 61347
- ENEC, CE, CB approved by TUV SUD, SAA, Ctick qualified
- Five-year factory guarantee and lifetime technical support



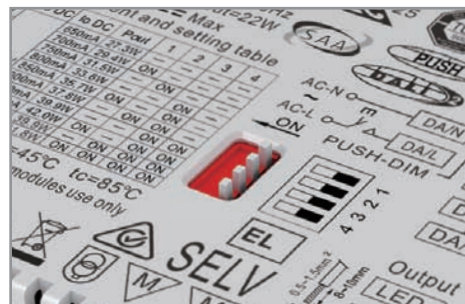


Parameter

Model Number	Dimming Type	Input Voltage (Vac)	Max. Output Power(W)	Output Voltage (Vdc)	Output Current (mA)	PST	SVM	Power Factor	BOM #
C628-42600DB-F	DALI-2 PUSH-DIM	220-240	25.2	14-42	600,550,500,450, 400,350,300,250	0.1%	0.1%	0.95	4.DR.061.002
C650-421100DB-F	DALI-2 PUSH-DIM	220-240	42	14-42*	1100, 1050, 1000, 950, 900, 850, 800, 750, 700,650	0.1%	0.1%	0.95	4.DR.061.001
C665-421500DB-F	DALI-2 PUSH-DIM	220-240	57	14-42*	1500,1450,1400,1350,1300, 1250,1200,1150	0.1%	0.1%	0.95	4.DR.061.003



Tool-less installation and with through wiring



Adjustable output current by dip switches

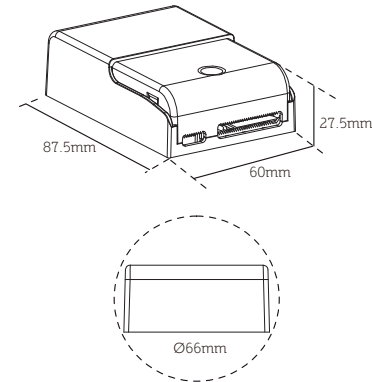


WHY THROUGH WIRING/LOOPING DRIVER

Installation on site with the looping drivers is not just faster but also robust and sturdy. Drivers with looping mechanics are integrated strain reliefs and, in DALI drivers, additional control terminals for fast and accurate wiring. These maximums convenience for your application.

RELATED PRODUCT

Looping DALI-2 & Push-DIM compact driver.



DRIVER
C6

Parameter

Model Number	Dimming Type	Input Voltage (Vac)	Max. Output Power(W)	Output Voltage (Vdc)	Output Current (mA)	PST	SVM	Power Factor	BOM #
C916-40350DB-F	DALI-2 PUSH-DIM	220-240	14	14-40	350, 280, 250, 220, 180, 160, 120	0.01%	0.01%	0.95	4.DR.066.001



**Professional
Unique
Comfortable**
LED LIGHTING

Kinglumi has set its social networks on Facebook, LinkedIn, Youtube and Twitter, new products and company news will be posted on all these platform. It would be a pleasure to meet you there, and you can "share" and "like" what you are interested in.



www.facebook.com



www.linkedin.com



www.youtube.com



www.twitter.com

Add: Bldg 3, Nangang Third Industrial Zone, Tangtou, Shiyan Town, Bao'an District, Shenzhen City, China
518108
Tel: 0086-755-29516789 33985808
E-mail: sales@kinglumi.com
Fax: 0086-755-29516759
Http: [//www.kinglumi.com](http://www.kinglumi.com)

Working hours: From Monday to Friday 8:30 to 18:00